



Organic Chemistry

A2 Synthetic Routes

Download slides at ChemistryTuition.Net

Functional Groups met at AS level..

Alkanes

Alkenes

Ketones



Aldehydes



Alcohols

Haloalkanes



Carboxylic acids



Functional Groups met at AS level..

Alkanes

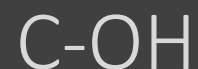
Alkenes



Aldehydes



Alcohols



Carboxylic acids



Ketones

Haloalkanes



New Functional Groups met at A2

Alkanes

Alkenes

Acid anhydrides

$R-COOCO-R$

Hydroxynitriles

$-C(OH)CN$

Aldehydes

$C=C$

CHO

Alcohols

Acyl Halides

$R-COX$

Esters

$R-COOR$

Carboxylic acids

C-OH

COOH

Amines

$R-NH_2$

Amides

$R-CONH_2$

Ketones

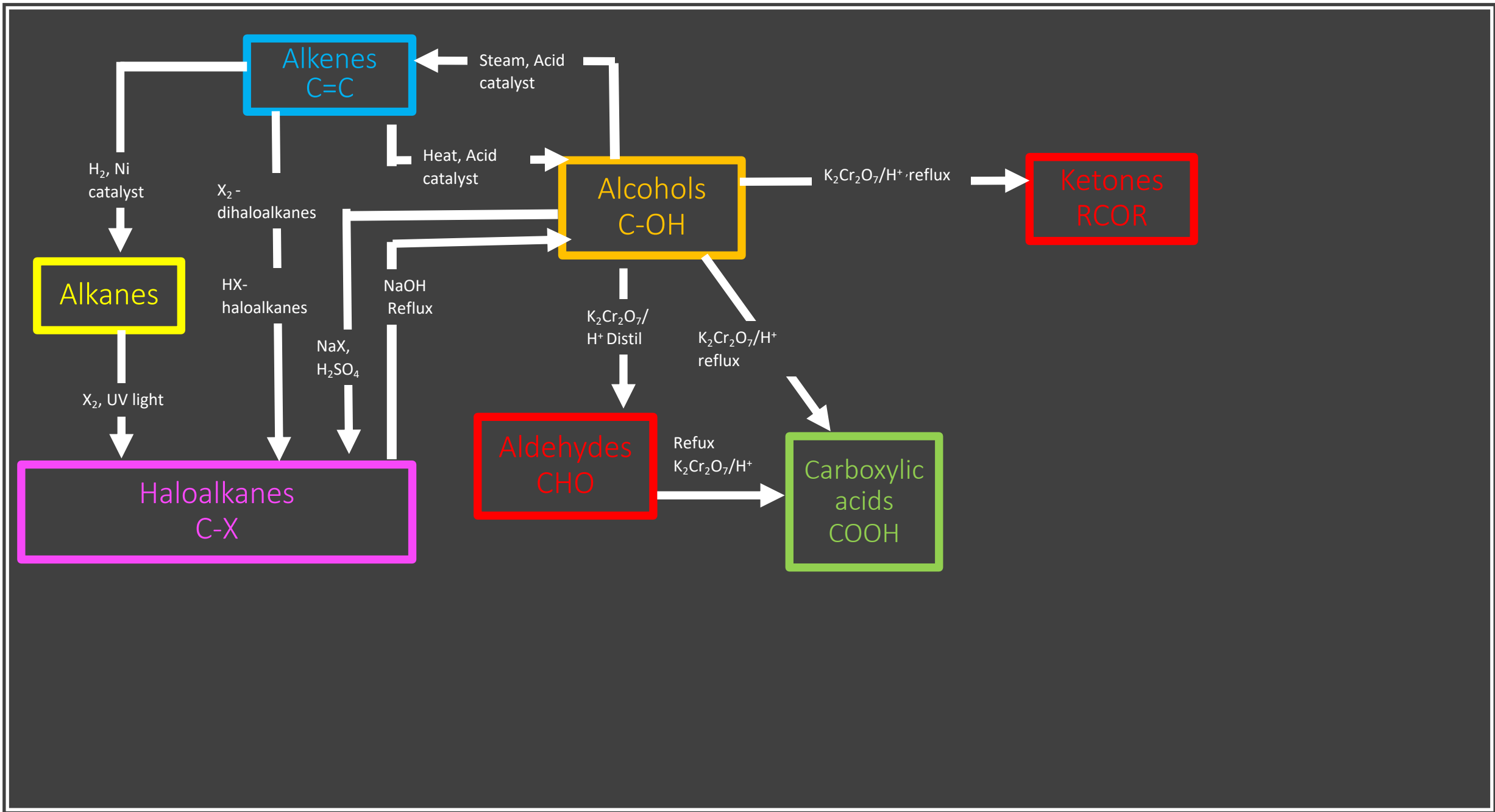
Haloalkanes

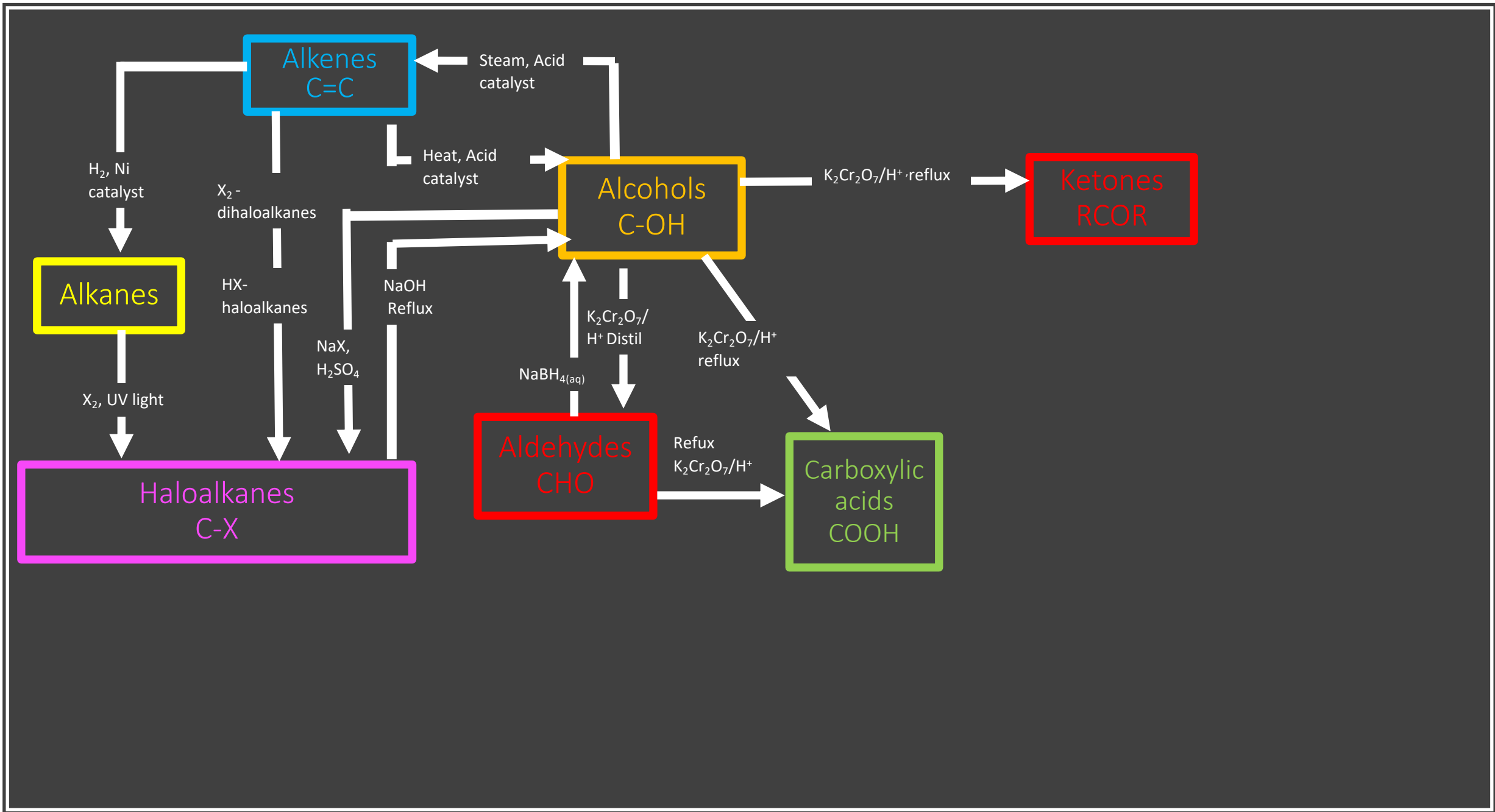
RCOR

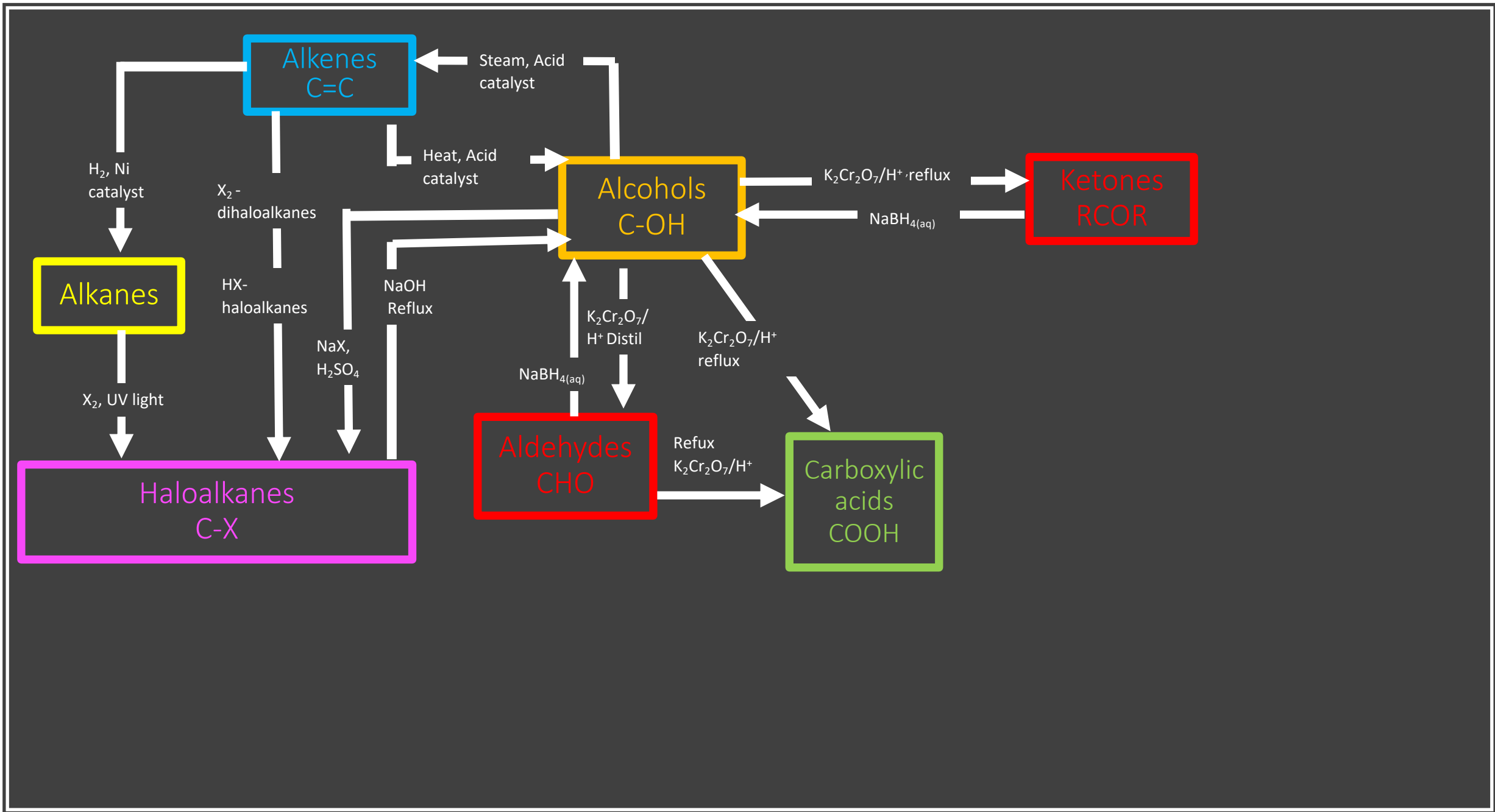
Nitriles

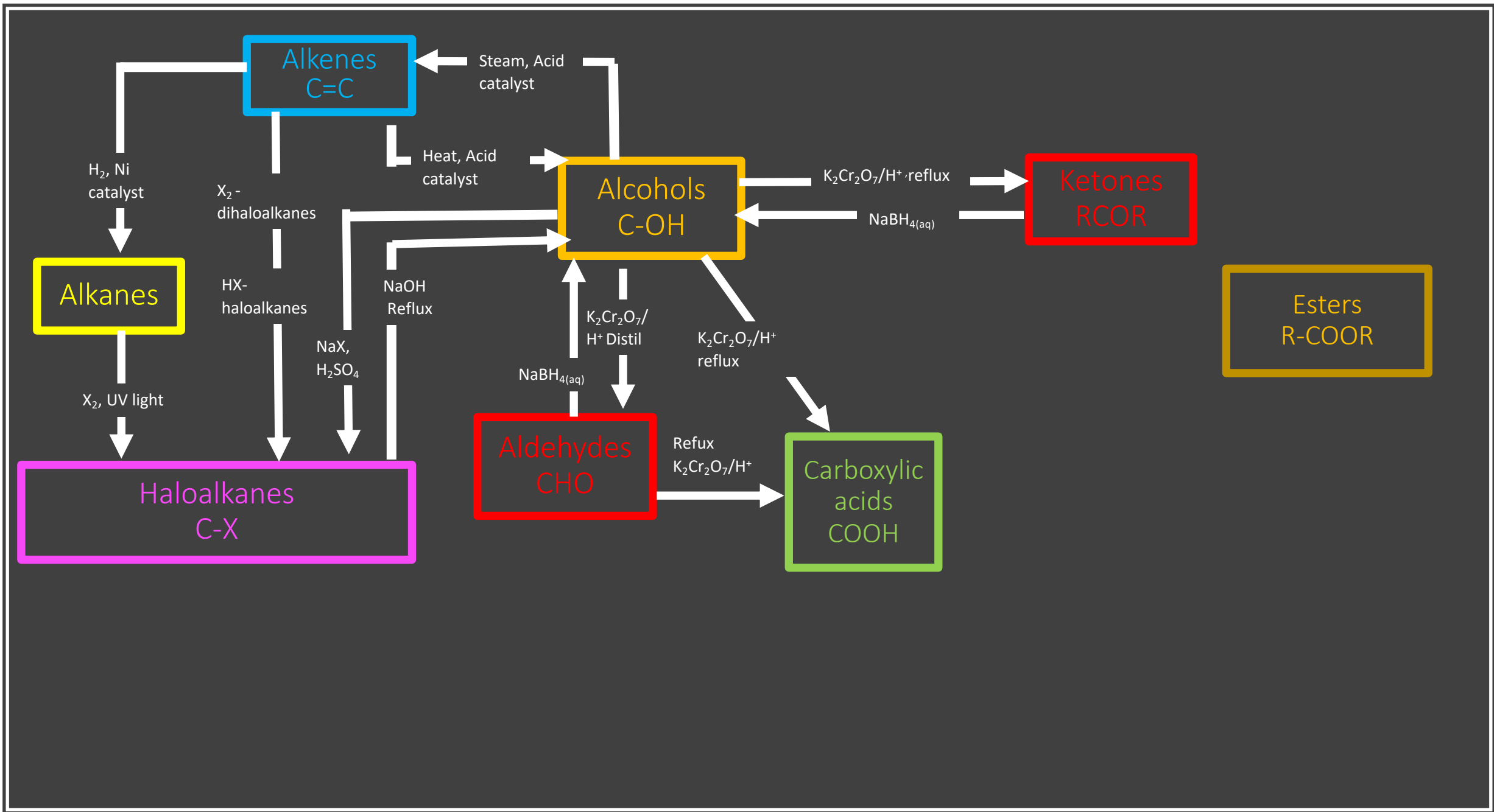
$-C-CN$

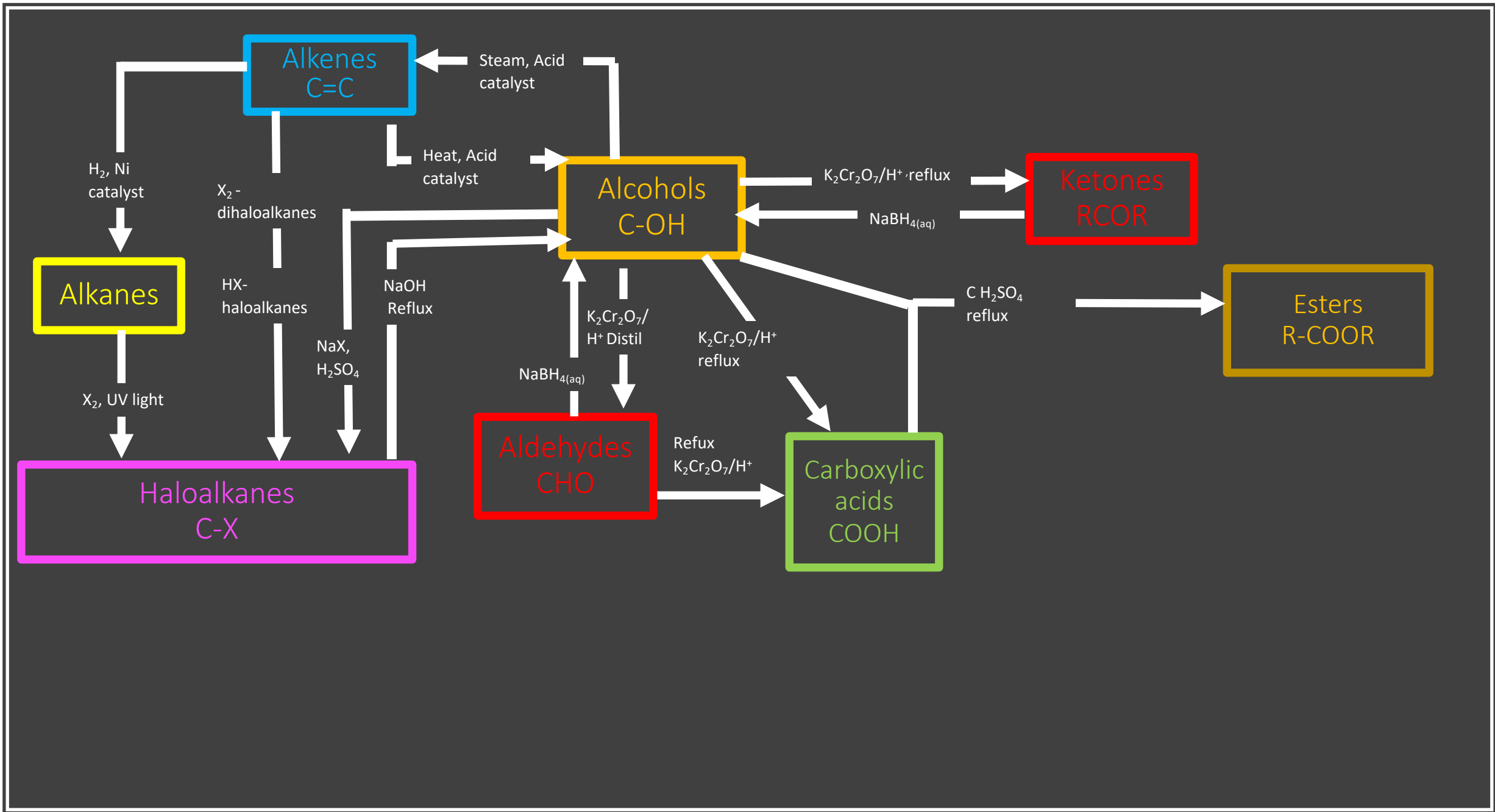
C-X

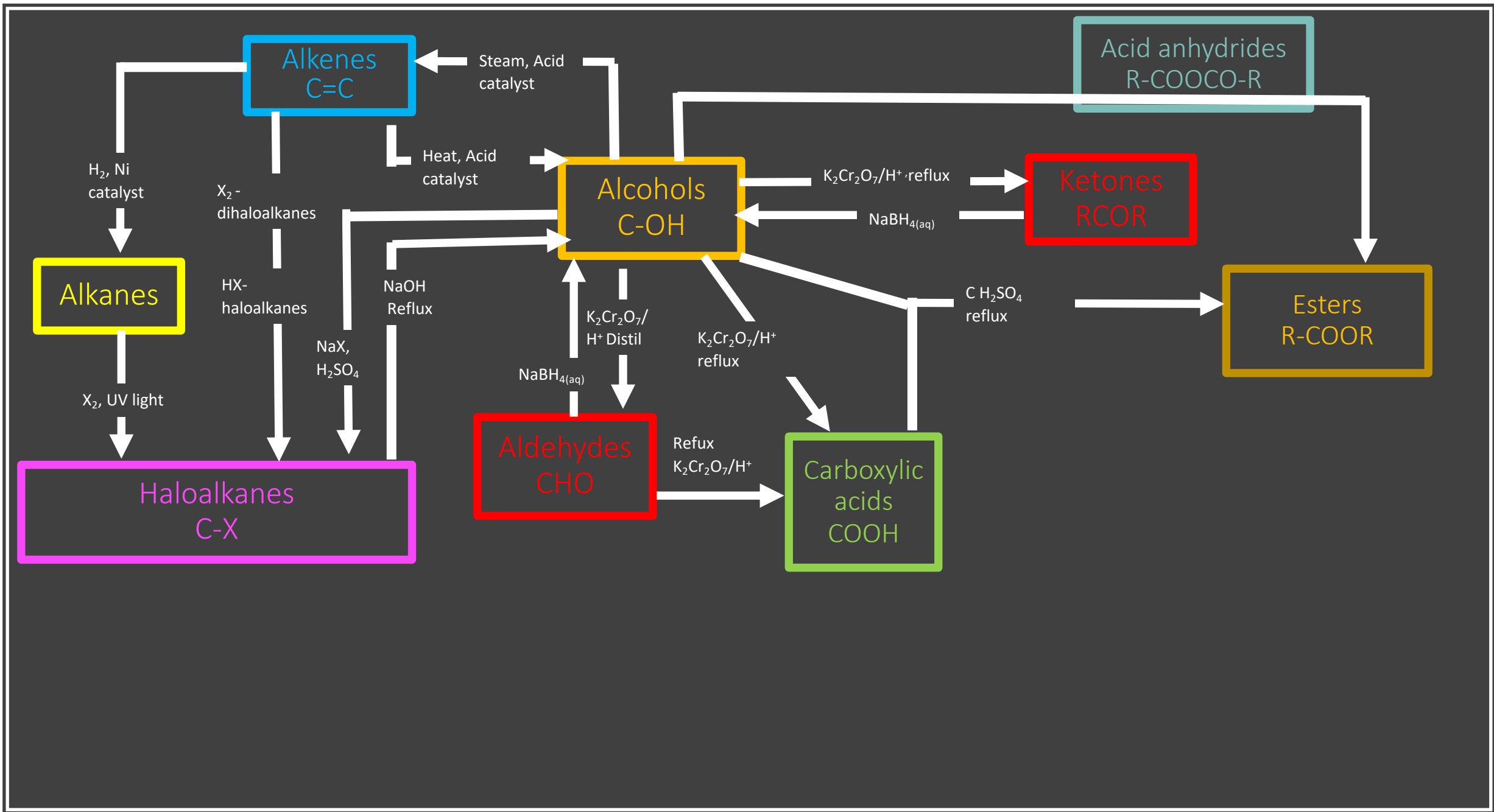


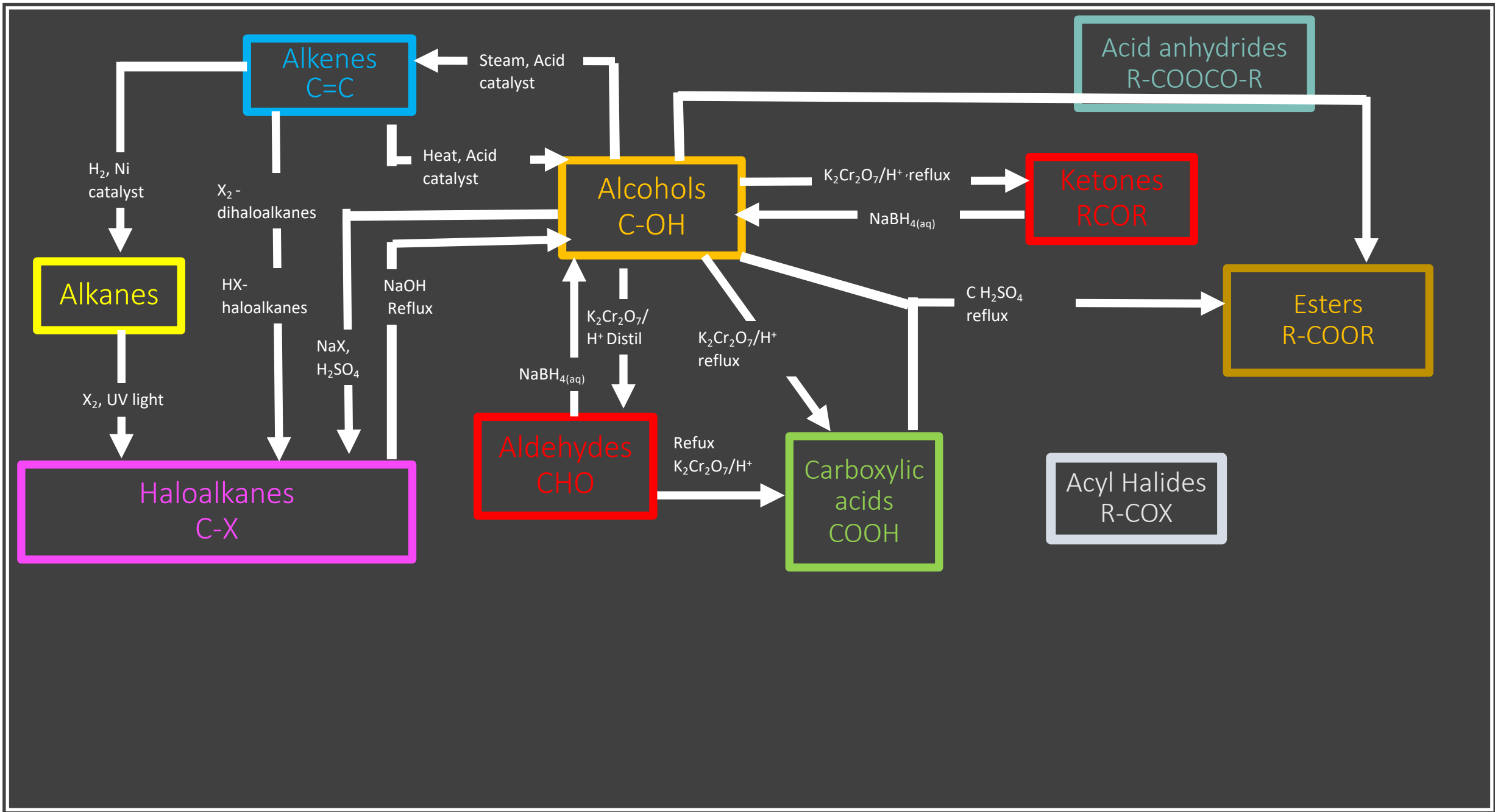


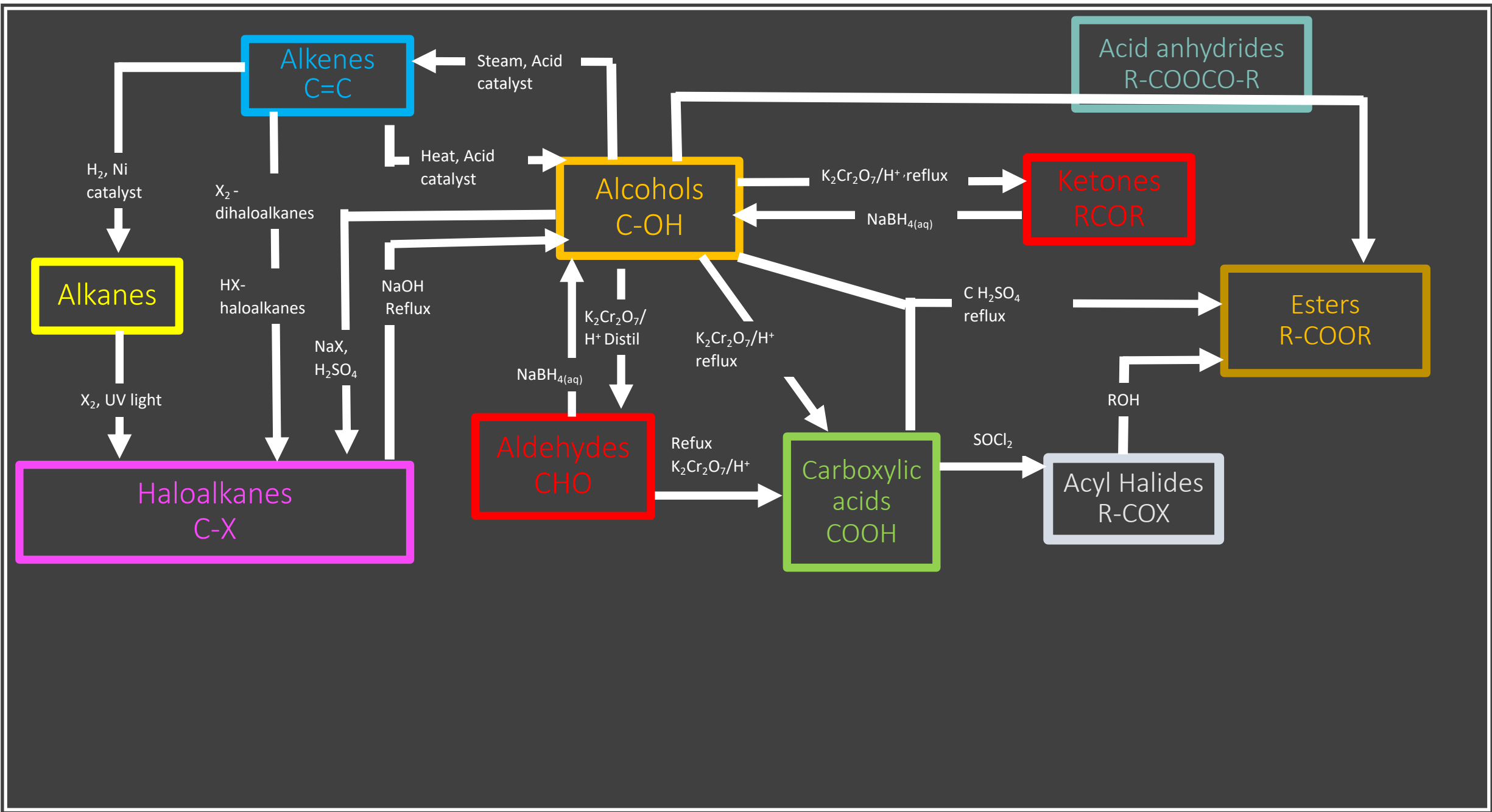


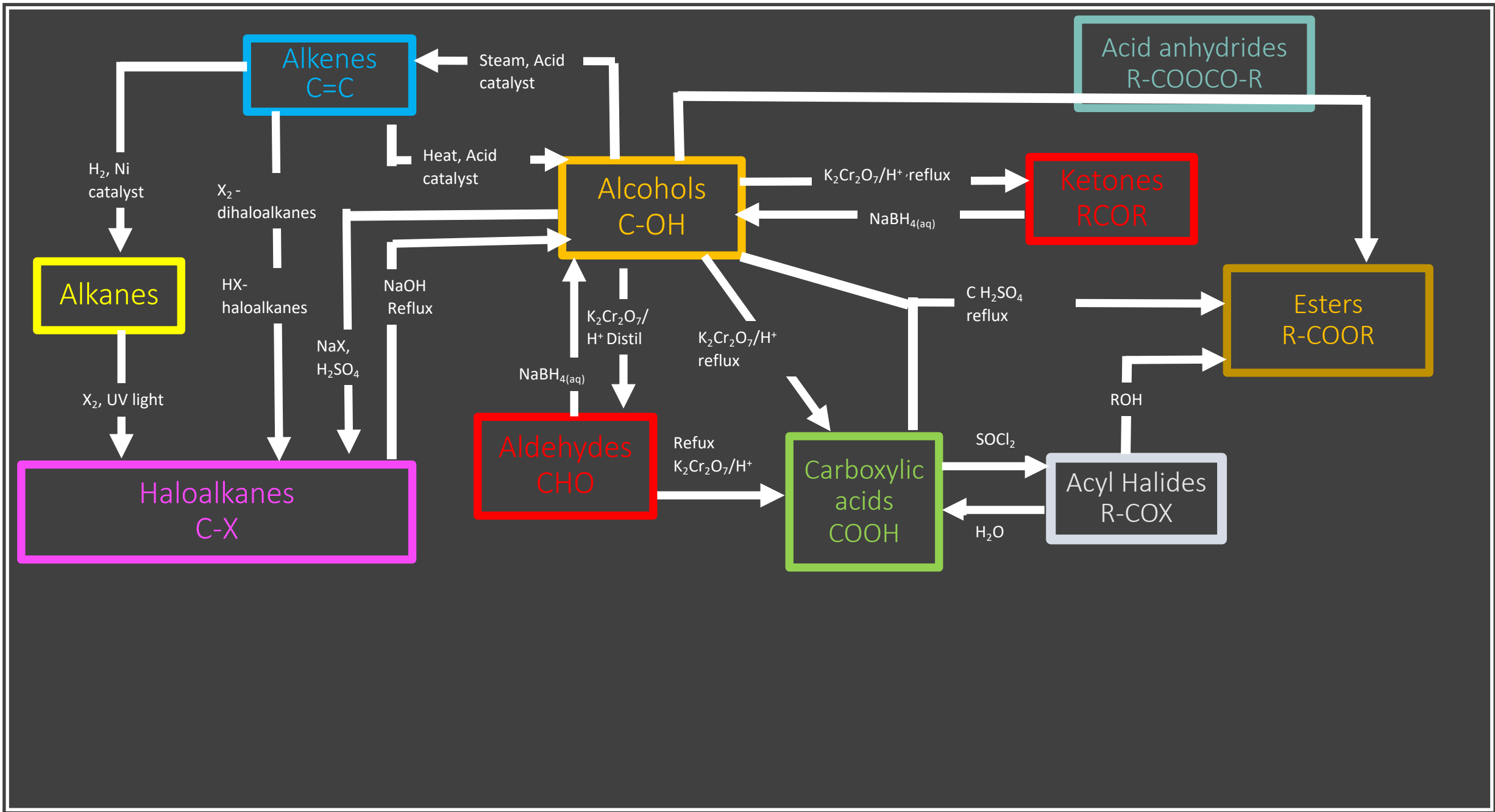


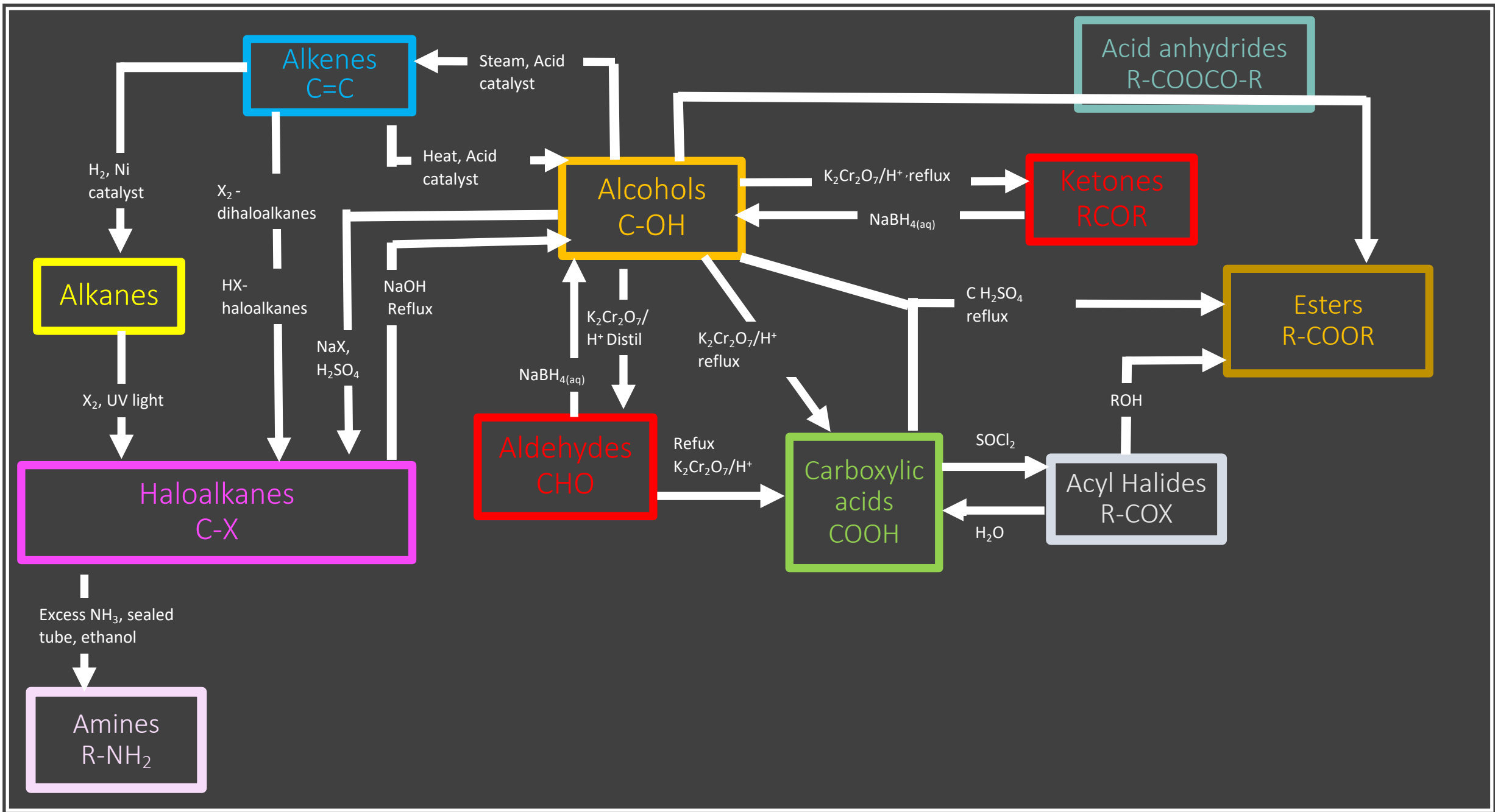


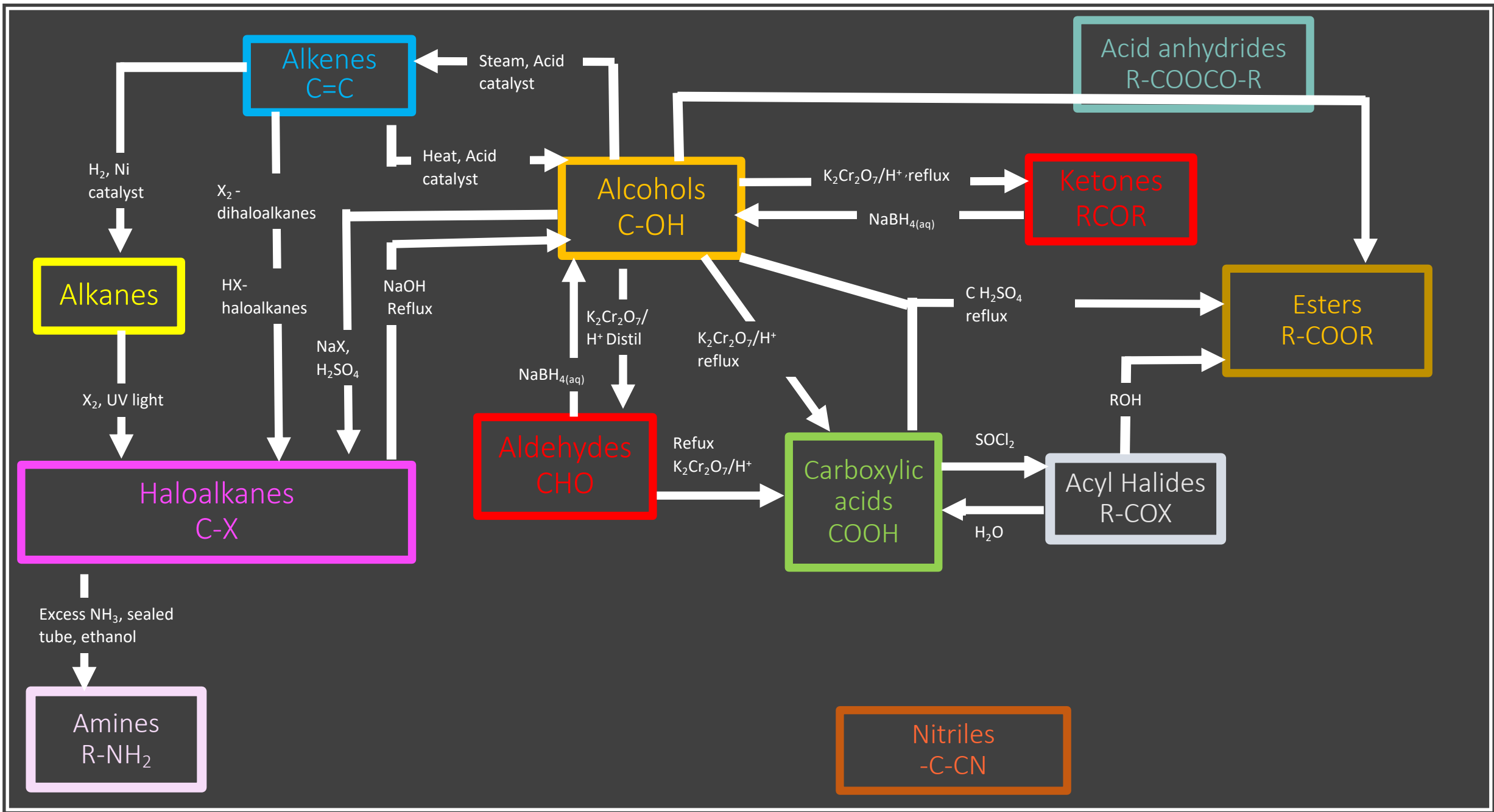


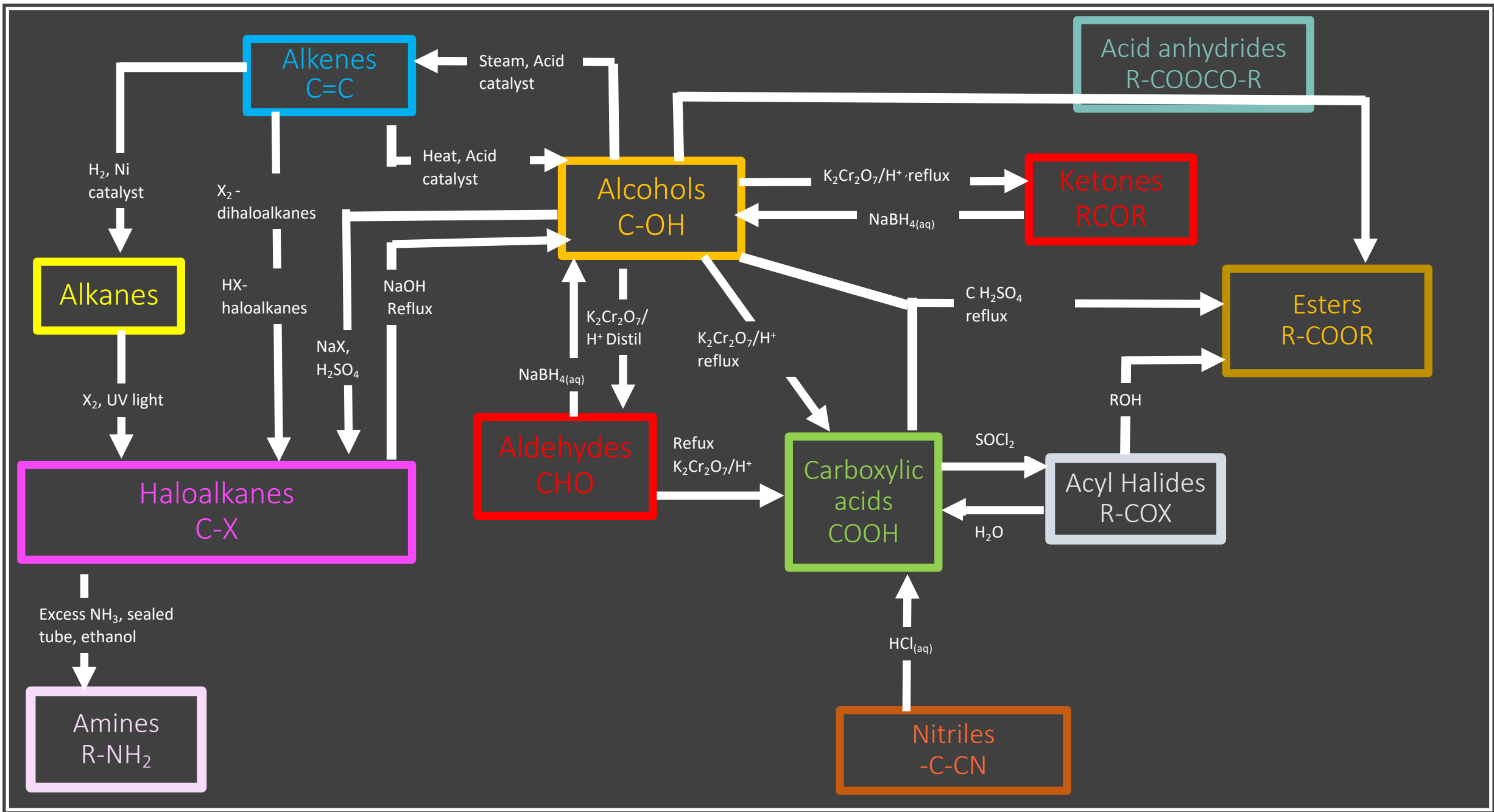


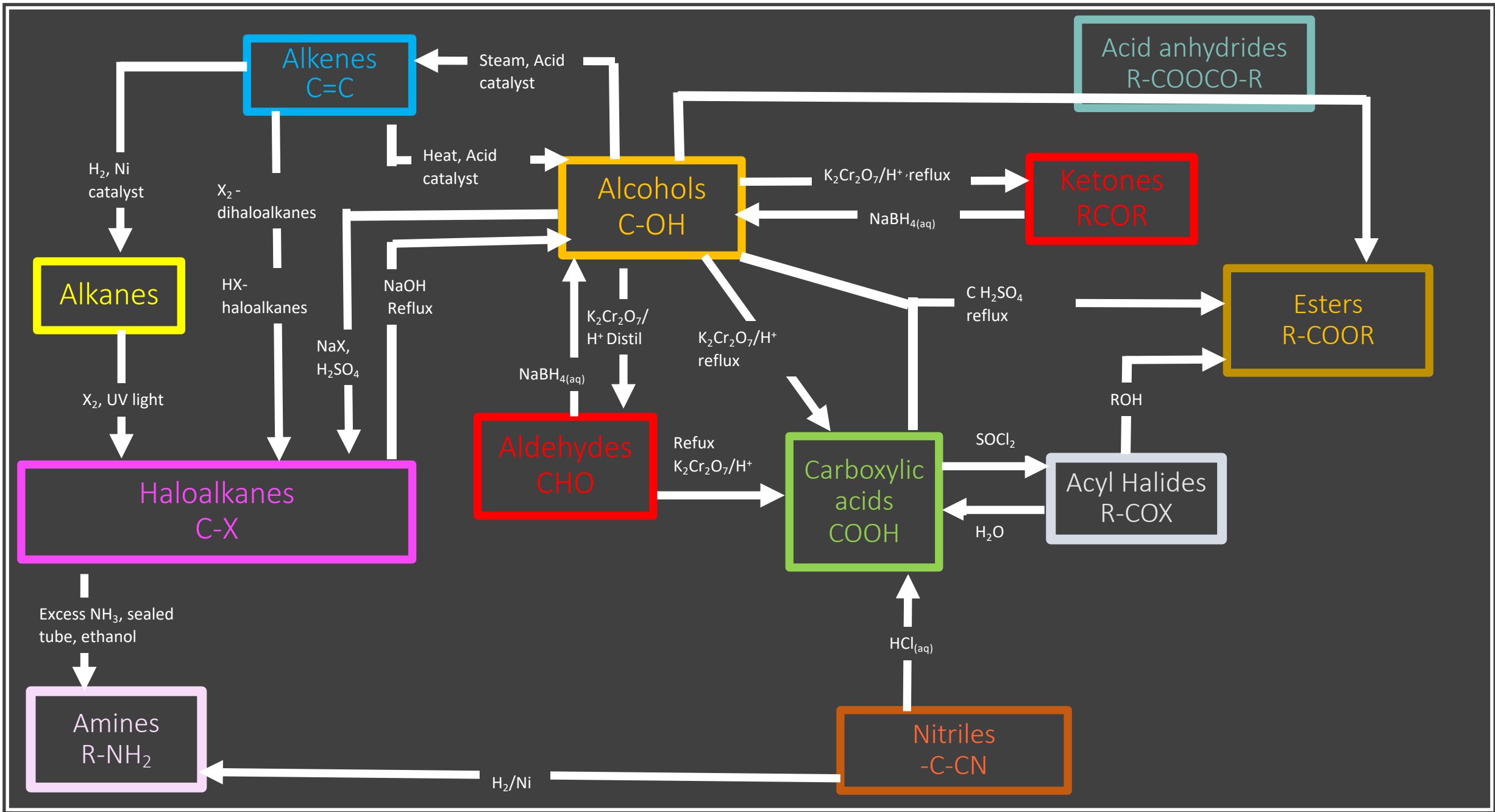


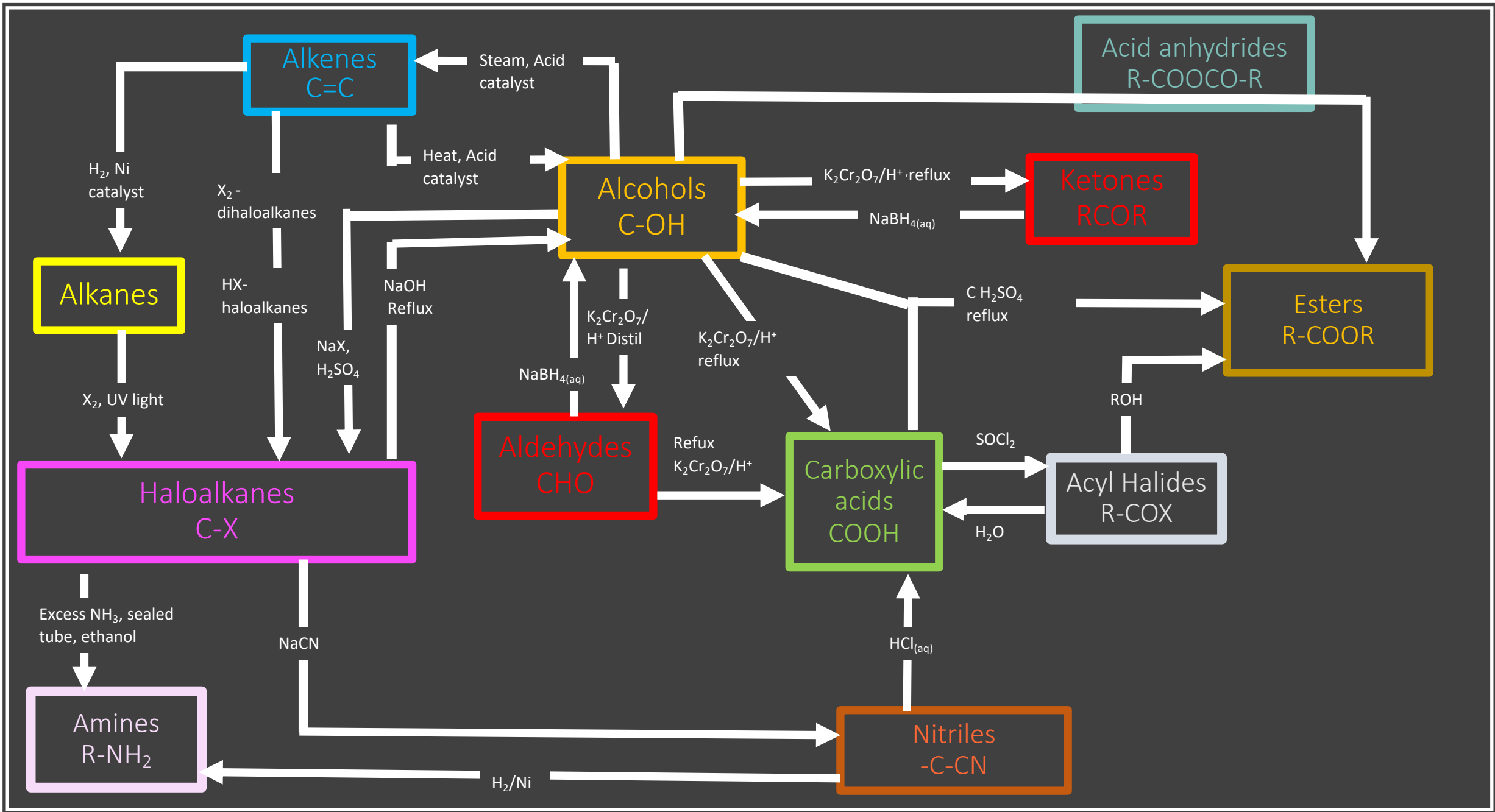


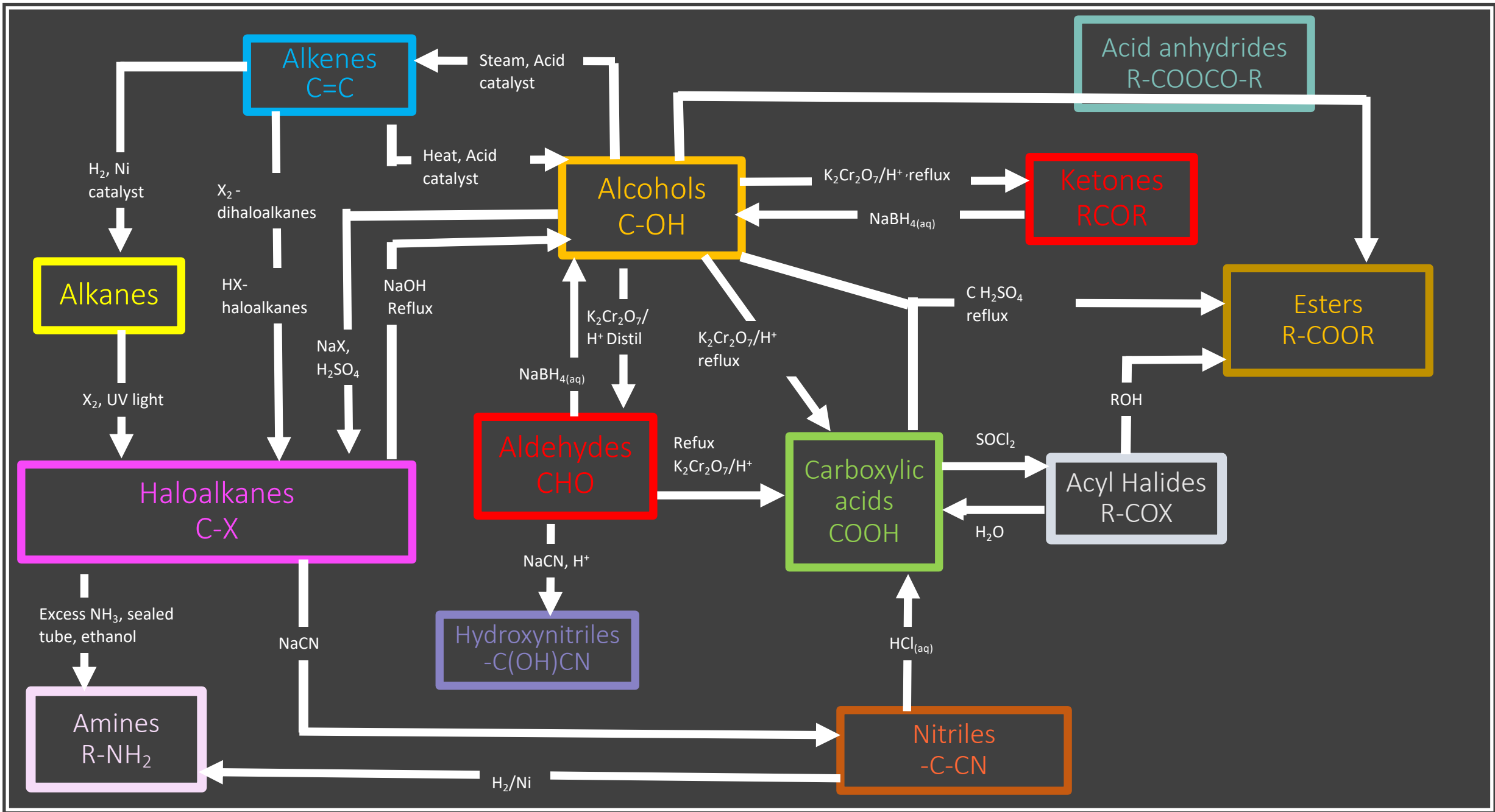


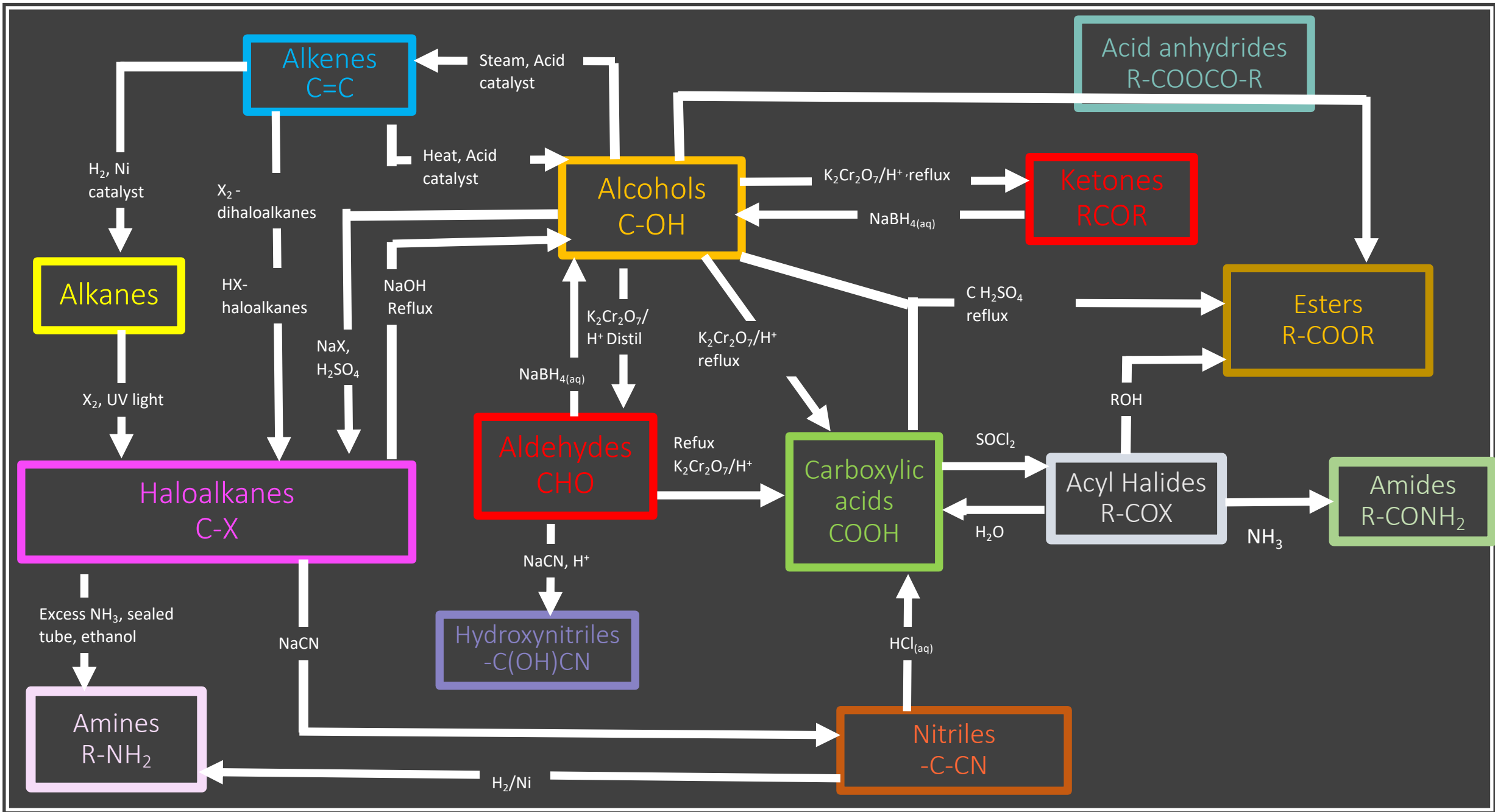


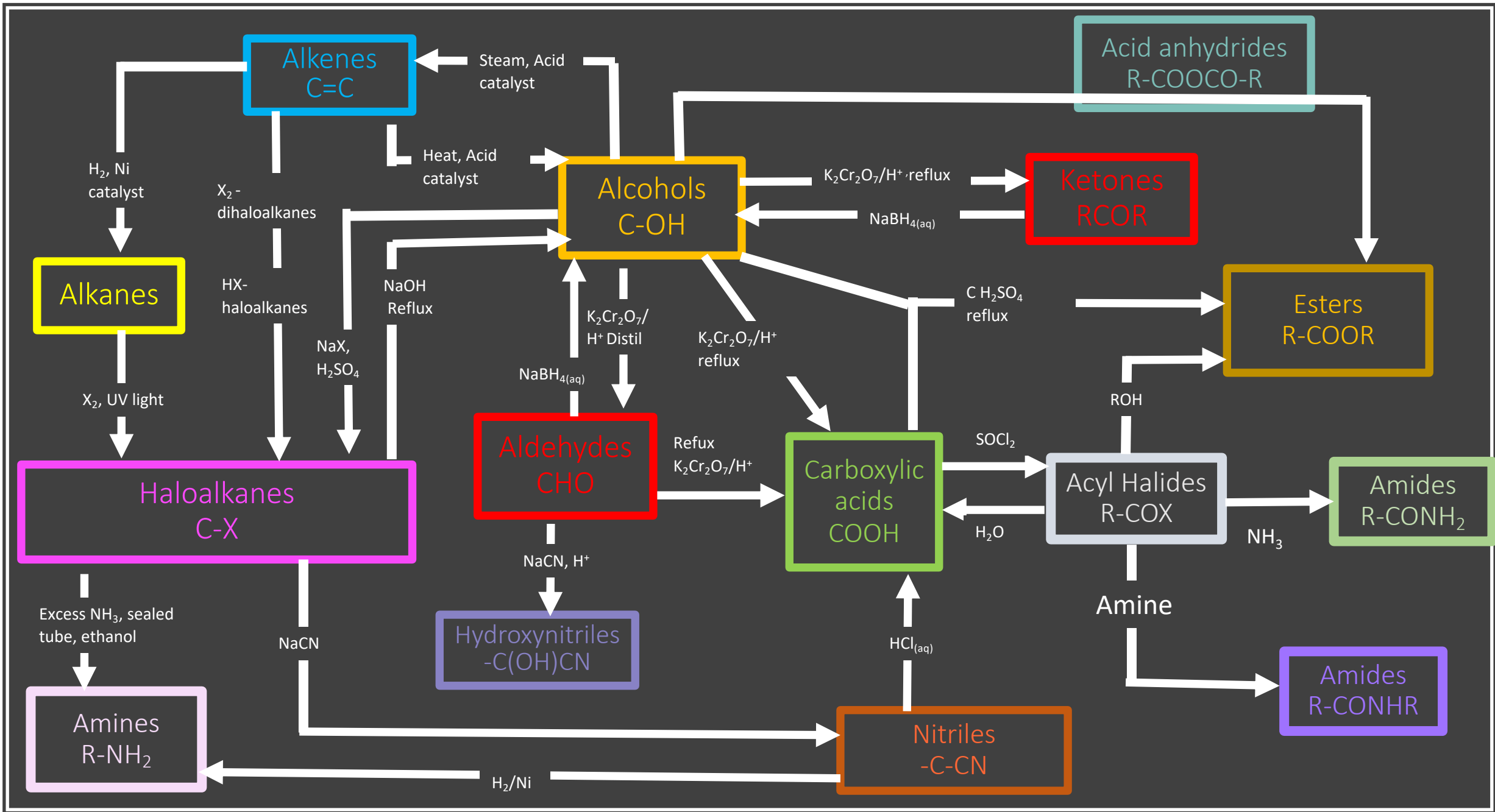






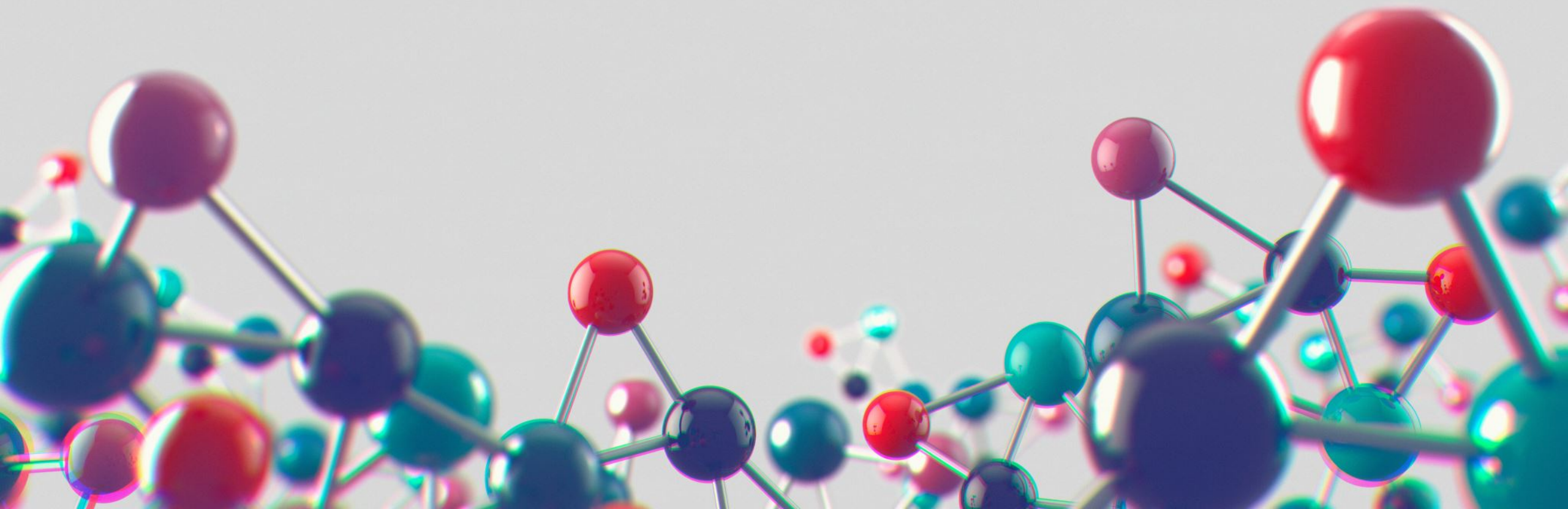






Online Teaching and Learning Resources for Chemistry Students

[ChemistryTuition.Net](https://www.chemistrytuition.net)



Online Teaching and Learning Resources for Chemistry Students

ChemistryTuition.Net

GCSE Topics

Electrolysis
Alkali Metals
The Halogens
Exothermic and Endothermic

Foundation Topics

Starting A level
Chemistry Calculations
Titration Calculations
Acids
Redox Reactions
Foundations in Chemistry
Electron Structure
Structure and Bonding
Periodicity
Group 2
Group 7

Organic Chemistry

Organic Chemistry Basic Concepts
Alkanes
Alkenes
Halogenoalkanes
AS Synthetic Routes
IR and Mass Spec
AS Organic Revision
Aromatic Chemistry
Carbonyl Compounds
Carboxylic Acids and their Derivatives
Amines
Polymers
Amino Acids
Qualitative Analysis

Inorganic and Physical

Transition Elements
Enthalpy and Hess Cycles
Rates of Reaction (AS)
Equilibria (AS)
Lattice Enthalpy
Entropy and Gibbs Free Energy
Redox Equations
Redox Titrations
Electrochemistry

Past Papers and Mark Schemes

Legacy OCR Papers and Mark Schemes
AS OCR Papers and Mark Sc...
A2 OCR Papers and Mark Sc...

Beyond A Level

Atomic Hybrid Orbitals (Extension)
Molecular Orbital Thoery (Extension)
More Advanced NMR (Extension)